



circuit breaker 3VA1 IEC Frame 160 breaking capacity class M Icu=55 kA @ 415 V  
3-pole, starter protection TM110M, FM, In=2 A without overload protection short-circuit protection Ii=15 x In nut keeper kit

| Model   |                             |
|---|-----------------------------|
| product brand name  | SENTRON                     |
| product designation   | Molded case circuit breaker |
| design of the product   | Starter protection          |
| design of the overcurrent release   | TM110M                      |
| protection function of the overcurrent release  | I                           |
| number of poles   | 3                           |
| General technical data  |                             |
| insulation voltage / rated value  | 800 V                       |
| operating voltage / at AC / rated value   | 690 V                       |
| power loss [W] / maximum  | 1.5 W                       |
| mechanical service life (operating cycles) / typical  | 20 000                      |
| electrical endurance (operating cycles) / at AC-1 / at 380/415 V                                      | 9 000                       |
| electrical endurance (operating cycles) / at AC-1 / at 690 V  | 6 300                       |
| product feature / for neutral conductors / upgradable/retrofitable / short-circuit and overload proof | No                          |
| ground-fault monitoring version   | Without                     |
| product function  |                             |
| • communication function  | No                          |
| • other measurement function  | No                          |
| Net Weight  | 0.9 kg                      |
| Current   |                             |
| operational current   |                             |
| • at 40 °C  | 2 A                         |
| • at 45 °C  | 2 A                         |
| • at 50 °C  | 2 A                         |
| • at 55 °C  | 2 A                         |
| • at 60 °C  | 2 A                         |
| • at 65 °C  | 2 A                         |
| • at 70 °C  | 2 A                         |
| Switching capacity according to IEC 60947   |                             |
| switching capacity class of the circuit breaker   | M                           |
| maximum short-circuit current breaking capacity (Icu)   |                             |
| • at 240 V  | 85 kA                       |
| • at 415 V  | 55 kA                       |
| • at 440 V  | 36 kA                       |
| • at 500 V  | 5 kA                        |
| • at 690 V  | 5 kA                        |
| operating short-circuit current breaking capacity (Ics)   |                             |
| • at 240 V  | 85 kA                       |

|   |  |
|---|--|
| <ul style="list-style-type: none"> <li>• at 415 V</li> <li>• at 440 V</li> <li>• at 500 V</li> <li>• at 690 V</li> </ul>  | 55 kA<br>36 kA<br>5 kA<br>5 kA   |
| short-circuit current making capacity (I <sub>cm</sub> ) <ul style="list-style-type: none"> <li>• at 240 V</li> <li>• at 415 V</li> <li>• at 440 V</li> <li>• at 500 V</li> <li>• at 690 V</li> </ul> | 187 kA<br>121 kA<br>75.6 kA<br>7.5 kA<br>7.5 kA  |
| design of short-circuit protection  | For switching power values in DC networks, see the 3VA molded case circuit breaker device manual; link to be found under Service & Support in the last chapter |

#### Adjustable parameters

|   |              |
|---|--------------|
| adjustable response value setting current (I <sub>i</sub> ) / for I-tripping <ul style="list-style-type: none"> <li>• minimum</li> <li>• maximum</li> </ul> | 32 A<br>32 A |
| adjustable setting current (I <sub>nN</sub> ) / for N-tripping <ul style="list-style-type: none"> <li>• minimum</li> <li>• maximum</li> </ul>               | 0 A<br>0 A   |
| product function / grounding protection   | No           |

#### Mechanical Design

|   |                |
|---|----------------|
| product component <ul style="list-style-type: none"> <li>• undervoltage release</li> <li>• voltage trigger</li> <li>• trip indicator</li> </ul> | No<br>No<br>No |
| height [in]   | 5.12 in        |
| height  | 130 mm         |
| width [in]  | 3 in           |
| width   | 76.2 mm        |
| depth [in]  | 2.76 in        |
| depth   | 70 mm          |

#### Connections

|   |                             |
|---|-----------------------------|
| arrangement of electrical connectors / for main current circuit                           | Front terminal              |
| type of electrical connection / for main current circuit                                  | nut keeper kit on both ends |
| type of connectable conductor cross-sections / for flat-bar terminal connection / minimum | 12 x 1 mm                   |
| type of connectable conductor cross-sections / for flat-bar terminal connection / maximum | 17 x 6,5 mm                 |
| design of the surface / of the connections / on the top of the switch (N, 1, 3, 5)        | Silver                      |
| design of the surface / of the connections / on the bottom of the switch (N, 2, 4, 6)     | Tin                         |

#### Auxiliary circuit

|  |   |
|--|---|
| number of CO contacts / for auxiliary contacts | 0 |
|--|---|

#### Accessories

|  |     |
|--|-----|
| product extension / optional / motor drive | Yes |
|--|-----|

#### Environmental conditions

|  |                                    |
|--|------------------------------------|
| protection class IP / on the front   | IP40                               |
| ambient temperature <ul style="list-style-type: none"> <li>• during operation / minimum</li> <li>• during operation / maximum</li> <li>• during storage / minimum</li> <li>• during storage / maximum</li> </ul> | -25 °C<br>70 °C<br>-40 °C<br>80 °C |

#### Environmental footprint

|  |           |
|--|-----------|
| Environmental Product Declaration (EPD)                              | Yes       |
| Global Warming Potential [CO <sub>2</sub> eq] / total                | 190 kg    |
| Global Warming Potential [CO <sub>2</sub> eq] / during manufacturing | 4.67 kg   |
| Global Warming Potential [CO <sub>2</sub> eq] / during operation     | 186 kg    |
| Global Warming Potential [CO <sub>2</sub> eq] / after end of life    | -0.826 kg |
| reference code / according to IEC 81346-2                            | Q         |

#### Approvals / Certificates

General Product Approval



[Confirmation](#)



[Miscellaneous](#)

General Product Approval

EMV

Test Certificates

Marine / Shipping



[Miscellaneous](#)

[Special Test Certificate](#)

[Type Test Certificates/Test Report](#)



Marine / Shipping

other

Environment



[CCS \(China Classification Society\)](#)

[Miscellaneous](#)

[Confirmation](#)

[Miscellaneous](#)



Environment



[Environmental Confirmations](#)

[Environmental Confirmations](#)

Further information

Information on the packaging

<https://support.industry.siemens.com/cs/ww/en/view/109813875>

Information- and Downloadcenter (Catalogs, Brochures,...)

<http://www.siemens.com/lowvoltage/catalogs>

Industry Mall (Online ordering system)

<https://mall.industry.siemens.com/mall/en/en/Catalog/product?mlfb=3VA1102-5MG32-0AA0>

Service&Support (Manuals, Certificates, Characteristics, FAQs,...)

<https://support.industry.siemens.com/cs/ww/en/ps/3VA1102-5MG32-0AA0>

Image database (product images, 2D dimension drawings, 3D models, device circuit diagrams, ...)

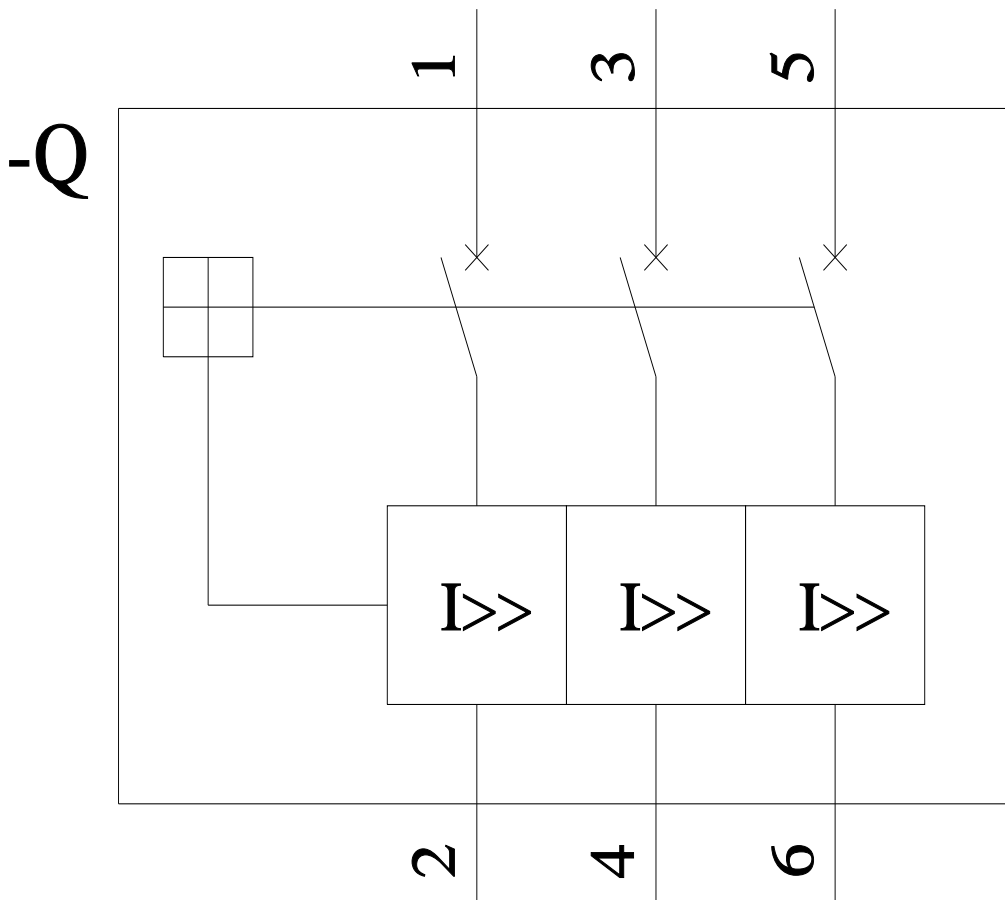
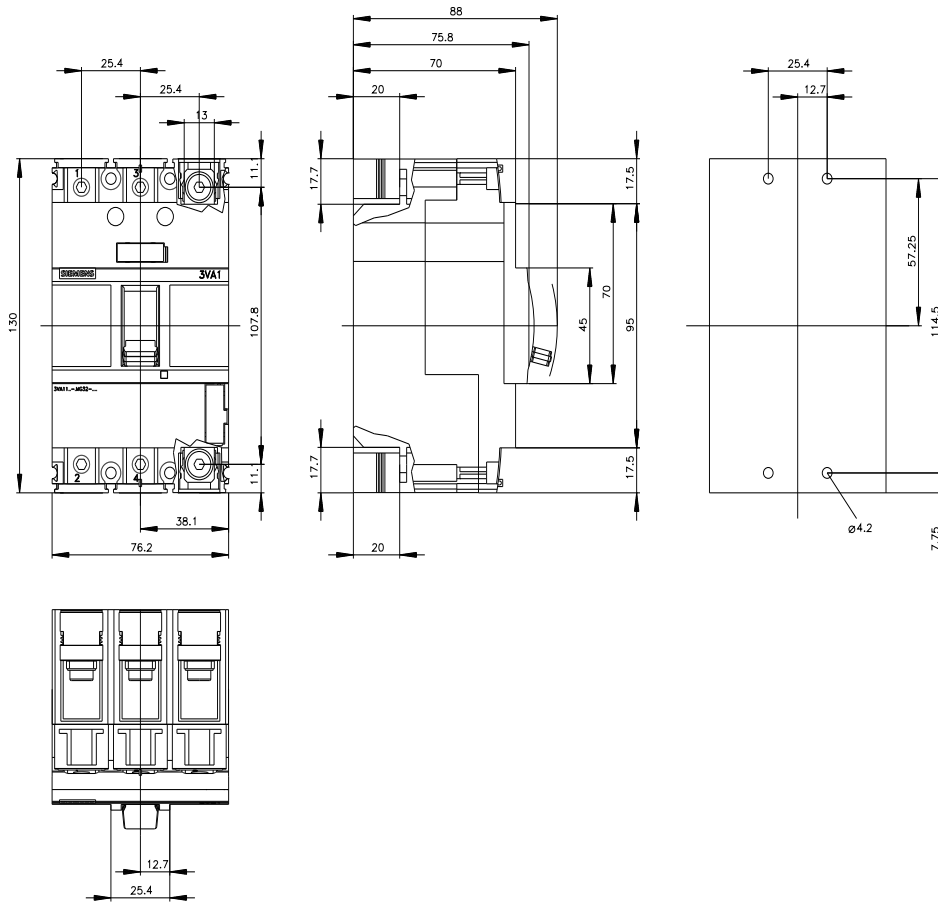
[http://www.automation.siemens.com/bilddb/cax\\_en.aspx?mlfb=3VA1102-5MG32-0AA0](http://www.automation.siemens.com/bilddb/cax_en.aspx?mlfb=3VA1102-5MG32-0AA0)

CAX-Online-Generator

<http://www.siemens.com/cax>

Tender specifications

<http://www.siemens.com/specifications>



last modified:

11/3/2023



