

# Product datasheet

Specifications



circuit breaker EasyPact  
CVS400F, 36 kA at 415 VAC, 400  
A rating thermal magnetic TM-D  
trip unit, 4P 3d

LV540309

## Main

|  |  |
|--|--|
| Range                                  | EasyPact   |
| Range of product                       | EasyPact CVS400...630  |
| Product name                           | EasyPact CVS   |
| Device short name                      | CVS400F  |
| Product or component type              | Circuit breaker  |
| Device application                     | Distribution   |
| Poles description                      | 4P   |
| Protected poles description            | 3D   |
| Earth leakage protection (Vigi add on) | Without  |
| [In] rated current                     | 400 A at 40 °C   |
| Network type                           | AC   |
| Utilisation category                   | Category A   |
| [Icu] Breaking capacity                | 40 kA Icu at 220/240 V AC 50/60 Hz conforming to IEC 60947-2<br>36 kA Icu at 380/415 V AC 50/60 Hz conforming to IEC 60947-2<br>30 kA Icu at 440 V AC 50/60 Hz conforming to IEC 60947-2 |
| Trip unit name                         | TM-D   |
| Trip unit technology                   | Thermal-magnetic   |
| Trip unit rating                       | 400 A at 40 °C   |
| Protection type                        | Short-circuit protection (magnetic)<br>Overload protection (thermal)   |

## Complementary

|  |  |
|--|--|
| [Uimp] rated impulse withstand voltage | 8 kV conforming to EN/IEC 60947-2  |
| Network frequency                      | 50/60 Hz   |
| Breaking capacity code                 | F  |
| [Ics] rated service breaking capacity  | 40 kA at 220/240 V AC 50/60 Hz conforming to IEC 60947-2<br>36 kA at 380/415 V AC 50/60 Hz conforming to IEC 60947-2<br>23 kA at 440 V AC 50/60 Hz conforming to IEC 60947-2 |
| Neutral position                       | Left   |
| Mechanical durability                  | 15000 cycles   |
| Electrical durability                  | 6000 cycles 415 V In conforming to IEC 60947-2   |
| Control type                           | Toggle   |
| Thermal protection adjustment range    | 280...400 A  |

|  |                    |
|--|--------------------|
| Neutral protection setting               | No protection (3D) |
| Long time pick-up adjustment type Ir     | Adjustable         |
| Long time pick-up adjustment range       | 0.7...1 x In       |
| Long time delay adjustment type          | Fixed              |
| Instantaneous pick-up adjustment type Ii | Adjustable         |
| Instantaneous pick-up adjustment range   | 5...10 x In        |
| Contact position indicator               | Yes                |
| Mounting support                         | Backplate          |
| Mounting mode                            | Fixed              |
| Upside connection                        | Front              |
| Downside connection                      | Front              |
| Connections - terminals                  | Screw connection   |
| Connection pitch                         | 45 mm              |
| Compatibility code                       | CVS400             |
| Width                                    | 185 mm             |
| Depth                                    | 110 mm             |
| Height                                   | 255 mm             |
| Net weight                               | 6.3 kg             |

## Environment

|                                       |                             |
|---------------------------------------|-----------------------------|
| Standards                             | EN 60947-2<br>IEC 60947-2   |
| Product certifications                | GOST<br>IEC                 |
| Electrical shock protection class     | Class II                    |
| Pollution degree                      | 3 conforming to IEC 60664-1 |
| IP degree of protection               | IP40                        |
| Ambient air temperature for operation | -25...70 °C                 |
| Ambient air temperature for storage   | -50...85 °C                 |

## Packing Units

|                              |           |
|------------------------------|-----------|
| Unit Type of Package 1       | PCE       |
| Number of Units in Package 1 | 1         |
| Package 1 Height             | 14.700 cm |
| Package 1 Width              | 20.000 cm |
| Package 1 Length             | 28.900 cm |
| Package 1 Weight             | 6.510 kg  |
| Unit Type of Package 2       | S04       |
| Number of Units in Package 2 | 3         |
| Package 2 Height             | 30.000 cm |
| Package 2 Width              | 40.000 cm |

---

**Package 2 Length** 60.000 cm

---

**Package 2 Weight** 20.290 kg

## Sustainability

**Green Premium™ label** is Schneider Electric's commitment to delivering products with best-in-class environmental performance. Green Premium promises compliance with the latest regulations, transparency on environmental impacts, as well as circular and low-CO<sub>2</sub> products.

**Guide to assessing product sustainability** is a white paper that clarifies global eco-label standards and how to interpret environmental declarations.

[Learn more about Green Premium >](#)

[Guide to assess a product's sustainability >](#)



Transparency RoHS/REACH

## Well-being performance

Mercury Free

Rohs Exemption Information Yes

## Certifications & Standards

Reach Regulation [REACH Declaration](#)

Eu Rohs Directive Compliant with Exemptions

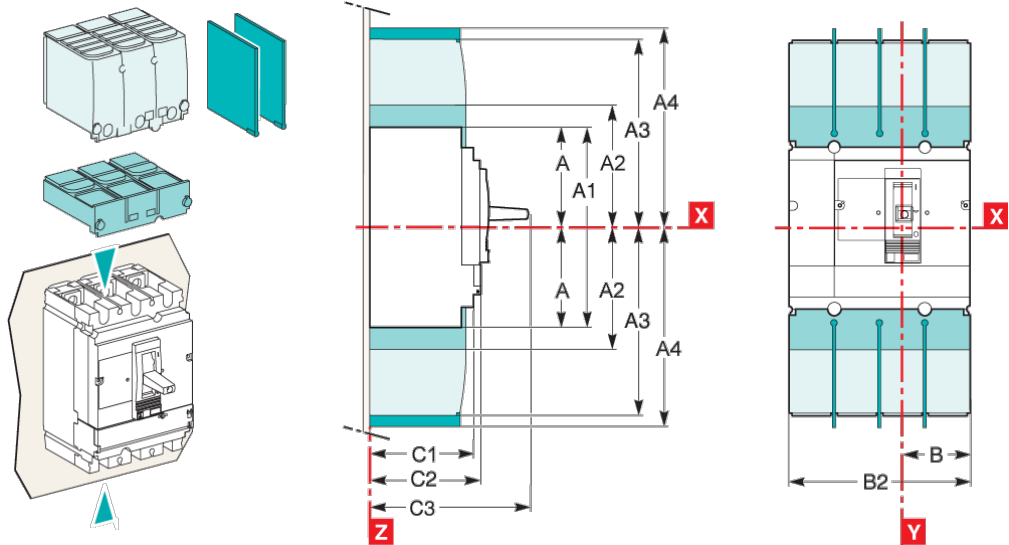
China Rohs Regulation [China RoHS declaration](#)  
Product out of China RoHS scope. Substance declaration for your information

Environmental Disclosure [Product Environmental Profile](#)

Weee The product must be disposed on European Union markets following specific waste collection and never end up in rubbish bins

Circularity Profile [End of Life Information](#)

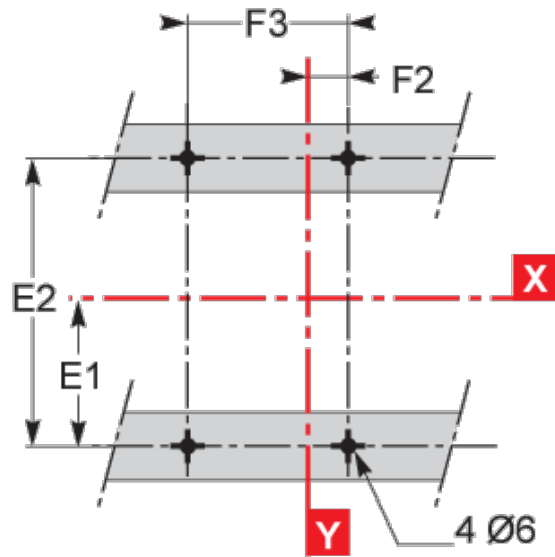
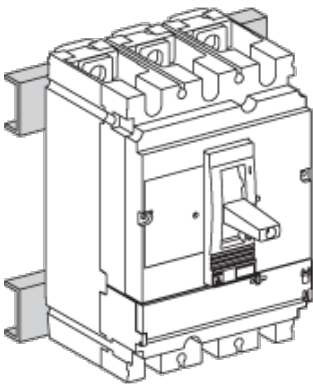
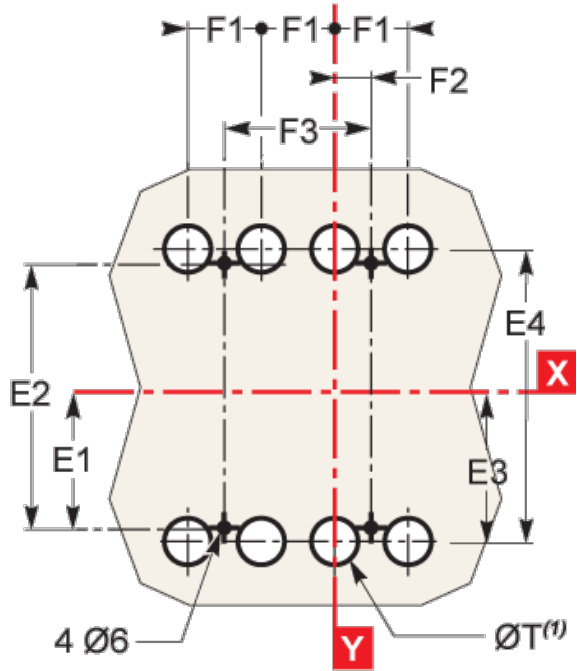
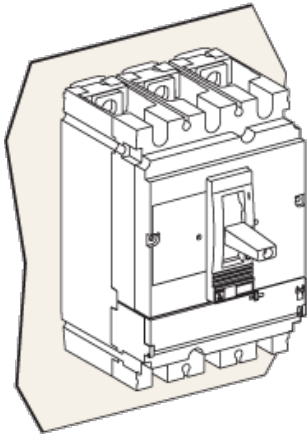
Dimensions Drawings



| Type           | A     | A1    | A2    | A3    | A4    | A5    | A6  | A7    | A8   | A9    | B    | B1  | B2   | C1   | C2   | C3                 | E1   |
|----------------|-------|-------|-------|-------|-------|-------|-----|-------|------|-------|------|-----|------|------|------|--------------------|------|
| CVS100/160/250 | 80.5  | 161   | 94    | 145   | 178.5 | 155.5 | 236 | 169   | 220  | 253.5 | 52.5 | 105 | 140  | 81   | 86   | 111 <sup>(2)</sup> | 62.5 |
| CVS400/630     | 127.5 | 255   | 142.5 | 200   | 237   | 227.5 | 355 | 242.5 | 300  | 337   | 70   | 140 | 185  | 95.5 | 110  | 168                | 100  |
| Type           | E2    | E3    | E4    | E5    | E6    | E7    | E8  | F1    | F2   | F3    | G1   | G2  | G3   | G4   | G5   | ØT                 | U    |
| CVS100/160/250 | 125   | 70    | 140   | 137.5 | 200   | 145   | 215 | 35    | 17.5 | 70    | 95   | 75  | 13.5 | 23   | 17.5 | 24                 | y 32 |
| CVS400/630     | 200   | 113.5 | 227   | 200   | 300   | 213.5 | 327 | 45    | 22.5 | 90    | -    | -   | -    | -    | 32   | y 35               |      |

(2) C3=126mm for EasyPact CVS250B/F.

Assembly



| Type           | A     | A1    | A2    | A3    | A4    | A5    | A6  | A7    | A8   | A9    | B    | B1  | B2   | C1   | C2   | C3                 | E1   |
|----------------|-------|-------|-------|-------|-------|-------|-----|-------|------|-------|------|-----|------|------|------|--------------------|------|
| CVS100/160/250 | 80.5  | 161   | 94    | 145   | 178.5 | 155.5 | 236 | 169   | 220  | 253.5 | 52.5 | 105 | 140  | 81   | 86   | 111 <sup>(2)</sup> | 62.5 |
| CVS400/630     | 127.5 | 255   | 142.5 | 200   | 237   | 227.5 | 355 | 242.5 | 300  | 337   | 70   | 140 | 185  | 95.5 | 110  | 168                | 100  |
| Type           | E2    | E3    | E4    | E5    | E6    | E7    | E8  | F1    | F2   | F3    | G1   | G2  | G3   | G4   | G5   | ØT                 | U    |
| CVS100/160/250 | 125   | 70    | 140   | 137.5 | 200   | 145   | 215 | 35    | 17.5 | 70    | 95   | 75  | 13.5 | 23   | 17.5 | 24                 | y32  |
| CVS400/630     | 200   | 113.5 | 227   | 200   | 300   | 213.5 | 327 | 45    | 22.5 | 90    | -    | -   | -    | -    | -    | 32                 | y35  |

(2) C3=126mm for EasyPact CVS250B/F.

Performance Curves

