

# Product datasheet

Specifications



circuit breaker EasyPact  
CVS630N, 50 kA at 415 VAC, 630  
A rating ETS 2.3 electronic trip  
unit, 3P 3d

LV563510

## Main

|  |  |
|--|--|
| Range                                  | EasyPact   |
| Range of product                       | EasyPact CVS400...630  |
| Product name                           | EasyPact CVS   |
| Device short name                      | CVS630N  |
| Product or component type              | Circuit breaker  |
| Device application                     | Distribution   |
| Poles description                      | 3P   |
| Protected poles description            | 3D   |
| Earth leakage protection (Vigi add on) | Without  |
| [In] rated current                     | 630 A at 40 °C   |
| Network type                           | AC   |
| Utilisation category                   | Category A   |
| [Icu] Breaking capacity                | 70 kA Icu at 220/240 V AC 50/60 Hz conforming to IEC 60947-2<br>50 kA Icu at 380/415 V AC 50/60 Hz conforming to IEC 60947-2<br>42 kA Icu at 440 V AC 50/60 Hz conforming to IEC 60947-2 |
| Trip unit name                         | ETS 2.3  |
| Trip unit technology                   | Electronic   |
| Trip unit rating                       | 630 A at 40 °C   |
| Protection type                        | Instantaneous short-circuit protection<br>Overload protection (long time)<br>Short time short-circuit protection   |

## Complementary

|  |  |
|--|--|
| [Uimp] rated impulse withstand voltage | 8 kV conforming to EN/IEC 60947-2  |
| Network frequency                      | 50/60 Hz   |
| Breaking capacity code                 | N  |
| [Ics] rated service breaking capacity  | 70 kA at 220/240 V AC 50/60 Hz conforming to IEC 60947-2<br>50 kA at 380/415 V AC 50/60 Hz conforming to IEC 60947-2<br>32 kA at 440 V AC 50/60 Hz conforming to IEC 60947-2 |
| Mechanical durability                  | 15000 cycles   |
| Electrical durability                  | 4000 cycles 415 V In conforming to IEC 60947-2   |
| Trip unit protection functions         | LSol   |
| Control type                           | Toggle   |
| Long time pick-up adjustment type Ir   | Adjustable 9 settings  |

|   |   |
|---|---|
| Long time pick-up adjustment range        | 250...630 A   |
| Long time delay adjustment type           | Fixed   |
| [tr] long-time delay adjustment range     | 5.5 s at 7.2 x Ir<br>8 s at 6 x Ir<br>200 s at 1.5 x Ir |
| Thermal memory                            | Yes   |
| Short-time pick-up adjustment type Isd    | Adjustable 9 settings                                   |
| [Isd] short-time pick-up adjustment range | 1.5...10 x Ir   |
| Short-time delay adjustment type          | Fixed   |
| Instantaneous pick-up adjustment type li  | Fixed   |
| Instantaneous pick-up adjustment range    | 11 x In   |
| Contact position indicator                | Yes   |
| Mounting support                          | Backplate   |
| Mounting mode                             | Fixed   |
| Upside connection                         | Front   |
| Downside connection                       | Front   |
| Connections - terminals                   | Screw connection  |
| Connection pitch                          | 45 mm   |
| Compatibility code                        | CVS630  |
| Width                                     | 140 mm  |
| Depth                                     | 110 mm  |
| Height                                    | 255 mm  |
| Net weight                                | 5.2 kg  |

## Environment

|                                       |                             |
|---------------------------------------|-----------------------------|
| Standards                             | EN 60947-2<br>IEC 60947-2   |
| Product certifications                | GOST<br>IEC                 |
| Electrical shock protection class     | Class II                    |
| Pollution degree                      | 3 conforming to IEC 60664-1 |
| IP degree of protection               | IP40                        |
| Ambient air temperature for operation | -25...70 °C                 |
| Ambient air temperature for storage   | -50...85 °C                 |

## Packing Units

|                              |           |
|------------------------------|-----------|
| Unit Type of Package 1       | PCE       |
| Number of Units in Package 1 | 1         |
| Package 1 Height             | 15.207 cm |
| Package 1 Width              | 15.632 cm |
| Package 1 Length             | 29.21 cm  |
| Package 1 Weight             | 5.568 kg  |

|                                     |            |
|-------------------------------------|------------|
| <b>Unit Type of Package 2</b>       | CAR        |
| <b>Number of Units in Package 2</b> | 3          |
| <b>Package 2 Height</b>             | 22.7 cm    |
| <b>Package 2 Width</b>              | 37.8 cm    |
| <b>Package 2 Length</b>             | 49.3 cm    |
| <b>Package 2 Weight</b>             | 18.5 kg    |
| <b>Unit Type of Package 3</b>       | PAL        |
| <b>Number of Units in Package 3</b> | 48         |
| <b>Package 3 Height</b>             | 90.0 cm    |
| <b>Package 3 Width</b>              | 80.0 cm    |
| <b>Package 3 Length</b>             | 120.0 cm   |
| <b>Package 3 Weight</b>             | 282840.0 g |

## Sustainability

**Green Premium™ label** is Schneider Electric's commitment to delivering products with best-in-class environmental performance. Green Premium promises compliance with the latest regulations, transparency on environmental impacts, as well as circular and low-CO<sub>2</sub> products.

**Guide to assessing product sustainability** is a white paper that clarifies global eco-label standards and how to interpret environmental declarations.

[Learn more about Green Premium >](#)

[Guide to assess a product's sustainability >](#)



Transparency RoHS/REACH

## Well-being performance

Mercury Free

Rohs Exemption Information Yes

## Certifications & Standards

Reach Regulation [REACH Declaration](#)

Eu Rohs Directive Compliant with Exemptions

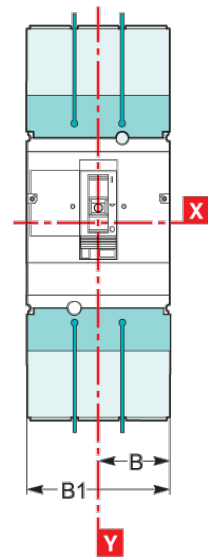
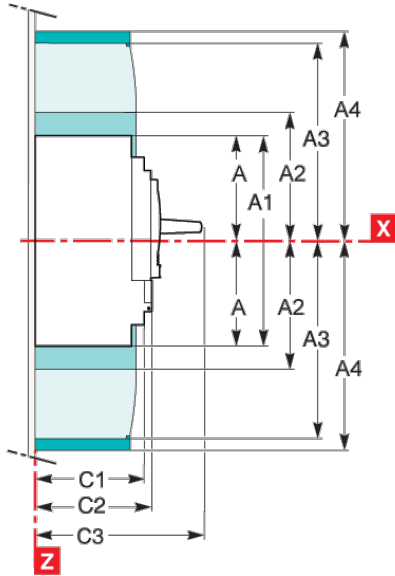
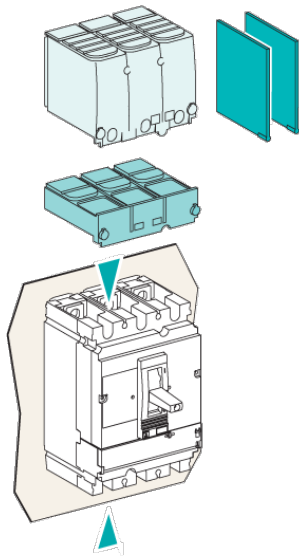
China Rohs Regulation [China RoHS declaration](#)  
Product out of China RoHS scope. Substance declaration for your information

Environmental Disclosure [Product Environmental Profile](#)

Weee The product must be disposed on European Union markets following specific waste collection and never end up in rubbish bins

Circularity Profile [End of Life Information](#)

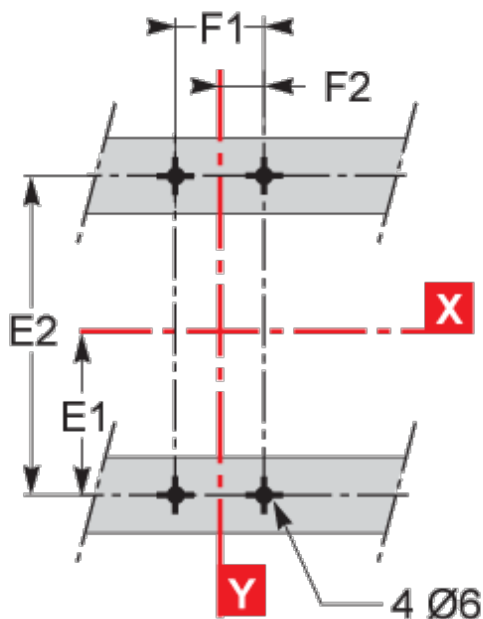
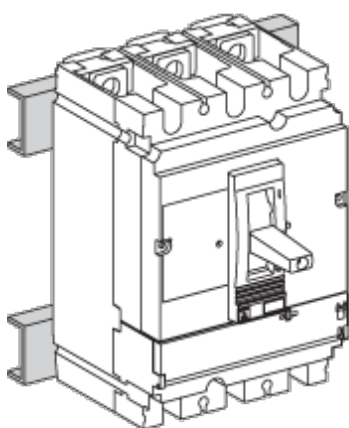
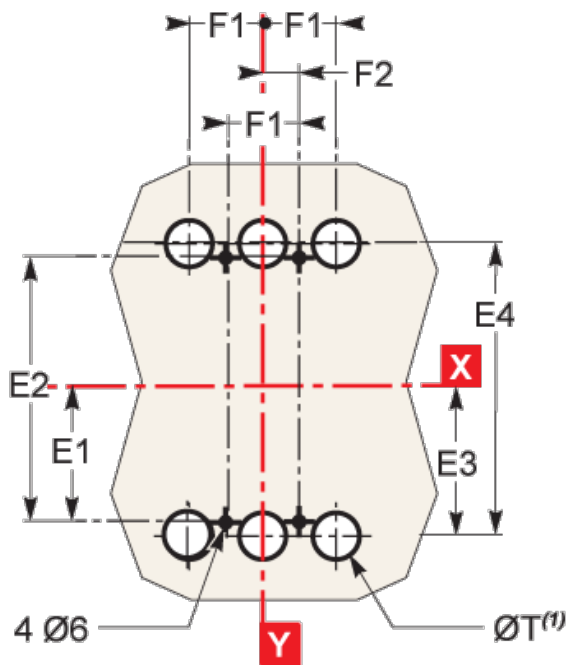
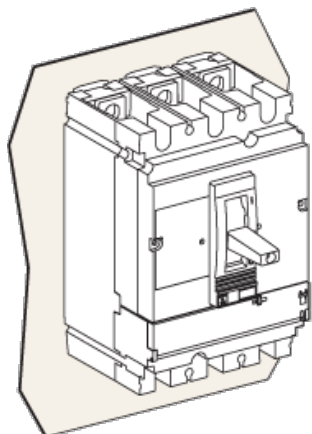
Dimensions Drawings



| Type           | A     | A1    | A2    | A3    | A4    | A5    | A6  | A7    | A8   | A9    | B    | B1  | B2   | C1   | C2   | C3                 | E1   |
|----------------|-------|-------|-------|-------|-------|-------|-----|-------|------|-------|------|-----|------|------|------|--------------------|------|
| CVS100/160/250 | 80.5  | 161   | 94    | 145   | 178.5 | 155.5 | 236 | 169   | 220  | 253.5 | 52.5 | 105 | 140  | 81   | 86   | 111 <sup>(2)</sup> | 62.5 |
| CVS400/630     | 127.5 | 255   | 142.5 | 200   | 237   | 227.5 | 355 | 242.5 | 300  | 337   | 70   | 140 | 185  | 95.5 | 110  | 168                | 100  |
| Type           | E2    | E3    | E4    | E5    | E6    | E7    | E8  | F1    | F2   | F3    | G1   | G2  | G3   | G4   | G5   | ØT                 | U    |
| CVS100/160/250 | 125   | 70    | 140   | 137.5 | 200   | 145   | 215 | 35    | 17.5 | 70    | 95   | 75  | 13.5 | 23   | 17.5 | 24                 | y 32 |
| CVS400/630     | 200   | 113.5 | 227   | 200   | 300   | 213.5 | 327 | 45    | 22.5 | 90    | -    | -   | -    | -    | -    | 32                 | y 35 |

(2) C3=126mm for EasyPact CVS250B/F.

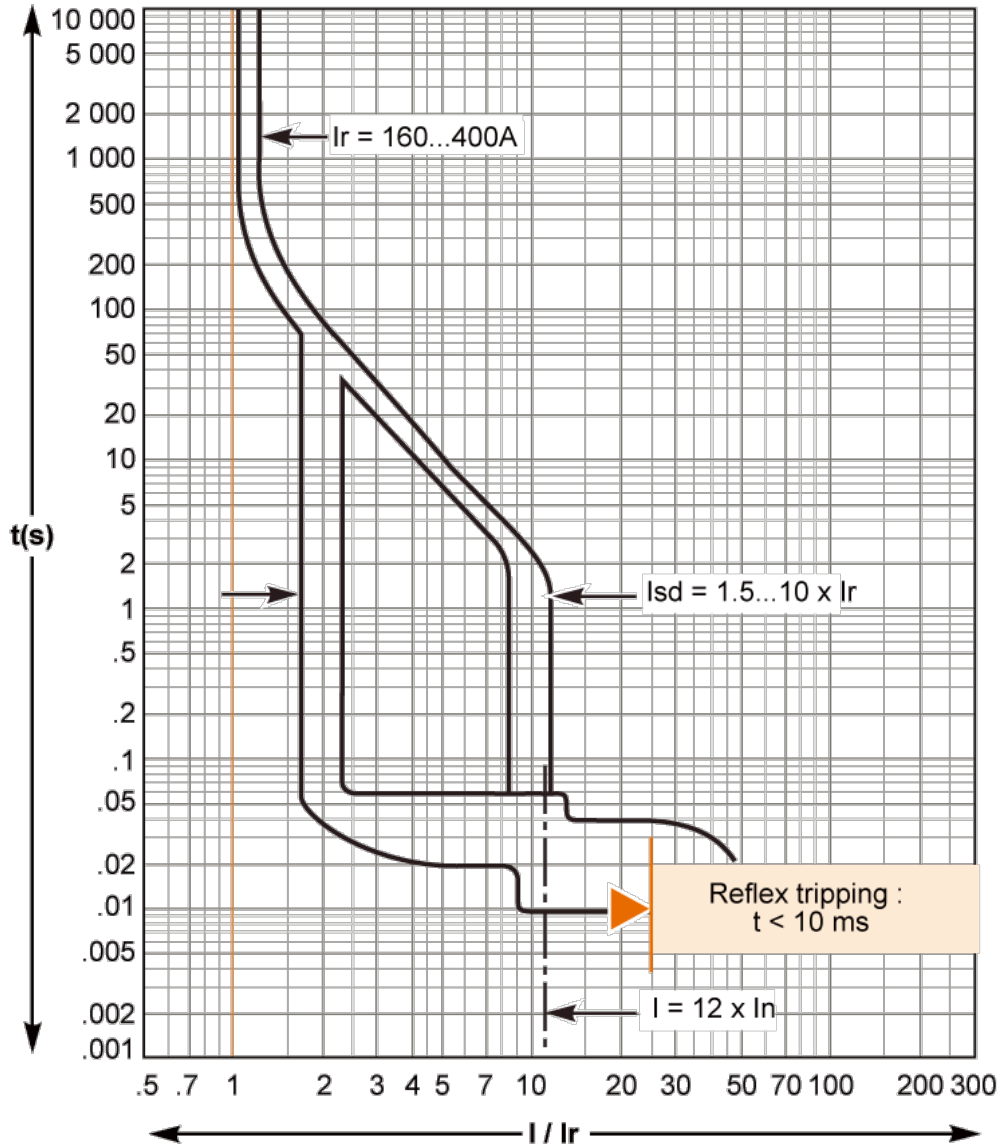
Assembly



| Type           | A     | A1    | A2    | A3    | A4    | A5    | A6  | A7    | A8   | A9    | B    | B1  | B2   | C1   | C2   | C3                 | E1   |
|----------------|-------|-------|-------|-------|-------|-------|-----|-------|------|-------|------|-----|------|------|------|--------------------|------|
| CVS100/160/250 | 80.5  | 161   | 94    | 145   | 178.5 | 155.5 | 236 | 169   | 220  | 253.5 | 52.5 | 105 | 140  | 81   | 86   | 111 <sup>(2)</sup> | 62.5 |
| CVS400/630     | 127.5 | 255   | 142.5 | 200   | 237   | 227.5 | 355 | 242.5 | 300  | 337   | 70   | 140 | 185  | 95.5 | 110  | 168                | 100  |
| Type           | E2    | E3    | E4    | E5    | E6    | E7    | E8  | F1    | F2   | F3    | G1   | G2  | G3   | G4   | G5   | ØT                 | U    |
| CVS100/160/250 | 125   | 70    | 140   | 137.5 | 200   | 145   | 215 | 35    | 17.5 | 70    | 95   | 75  | 13.5 | 23   | 17.5 | 24                 | y 32 |
| CVS400/630     | 200   | 113.5 | 227   | 200   | 300   | 213.5 | 327 | 45    | 22.5 | 90    | -    | -   | -    | -    | -    | 32                 | y 35 |

(2) C3=126mm for EasyPact CVS250B/F.

Performance Curves



Offer Marketing Illustration

Product benefits / Features

---






Offer Marketing Illustration

Product benefits / Features

---

## EasyPact CVS

### Moulded Case Circuit Breaker



**Safe**

Unlock unparalleled safety and control with our wire's unique ability to safely isolate and replace auxiliaries, even with an energized circuit breaker.

**Reliable**

It meets IEC 60947-2 standards for quality, high endurance, and fault current limitation technology, providing superior safety and protection.

**Simple**

Effortless retrofitting and seamless upgrades for enhanced flexibility and performance.

Offer Marketing Illustration

Product benefits / Features

---



**EasyPact CVS**  
Technical Benefits

- MCCB with adjustable setting, rated from 16 to 630A in 3 standard sizes
- Breaking capacity from 25 to 50kA at 400/415 V, 3 and 4 pole versions
- Vast range of protection options, thermal-magnetic, electronic and earth leakage
- Deliver a high level of performance and cost-saving functionality
- Coordinated with selectivity and cascading for ACBs, MCCBs, MCBs